



SHAW-BOX®

GLOBAL KING™ & WORLD SERIES™

ELECTRIC WIRE ROPE HOISTS



C O L U M B U S M c K I N N O N C O R P O R A T I O N

FLEX-48

QUICK SHIP PROGRAM IS EVEN MORE FLEXIBLE

Since its launch, the Flex-48 Quick Ship Program has proven to be a reliable and trusted solution when fast delivery is critical. We are now pleased to announce that we've made the Flex-48 even more flexible.

Effective immediately, both **Yale Global King** and **Shaw-Box World Series** are available as Flex-48 Quick Ship units shipping with world-class delivery within **48 hours**.*

These select wire rope hoists can be ordered in two simple steps for one shipment from one plant. It doesn't get any easier!

Step 1: Pick a Catalog Number

Just a single catalog number for a standard monorail unit or a complete plug & play crane kit.

Step 2: Pick a Product Brand Kit Number

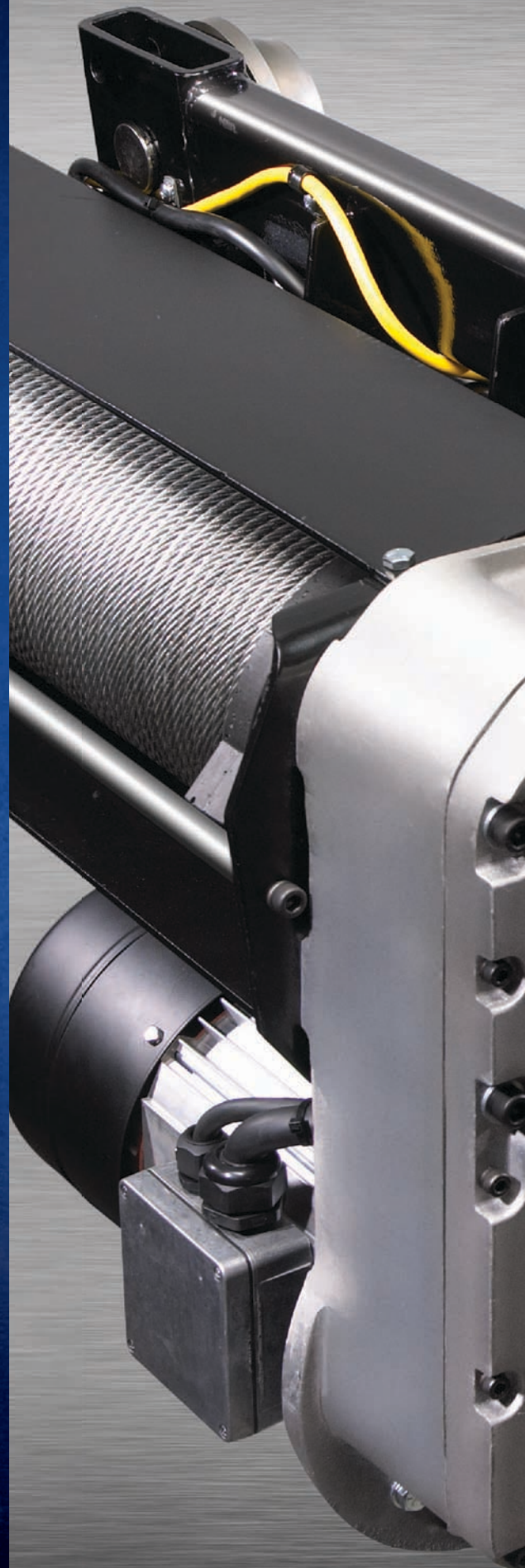
Choose your brand with a factory-installed product brand kit for either the Global King or World Series.

These units have been configured for broad appeal, while living up to our own standards of high quality and durability, and ship from our factory located in Wadesboro, North Carolina.

Both the Yale Global King and Shaw-Box World Series continue to be highly customizable hoists. If the specifications of the Flex-48 Quick Ship models do not match your exact needs, please contact Columbus McKinnon for a quote.

3 YEAR STANDARD WARRANTY

The Global King and World Series hoists' outstanding durability and reliable performance have made them world-class hoists. We are also pleased to now provide one of the best warranties in the industry. **The standard warranty on all Yale Global King and Shaw-Box World Series hoists is now 3 years.**



SHAW-BOX

* Ships in 2 Business Days.



SHAW-BOX

GLOBAL KING & WORLD SERIES

ELECTRIC WIRE ROPE HOISTS

MONORAIL HOISTS

5 METRIC TON

Hoist Catalog #: 45343101

Shaw-Box Product Brand Kit #: 23563825

Yale Product Brand Kit #: 23563826

Net Weight: **900 lbs.**

- 5 Metric Ton capacity
- 25 ft. lift
- 460-3-60, 115 V/C
- 20/5 FPM two speed hoist using 7.5/1.875 HP – 3600/900 RPM motor
- 55/18 FPM two speed trolley using .5/.17 HP – 1800/600 RPM motor
- 4" tread diameter wheels to fit ASI or WF beams with 8.125" thru 14" flange width, no curves

MORE FLEX

10 METRIC TON

Hoist Catalog #: 45343203

Shaw-Box Product Brand Kit #: 23563845

Yale Product Brand Kit #: 23563846

Net Weight: **1,750 lbs.**

- 10 Metric Ton capacity
- 25 ft. lift
- 460-3-60, 115 V/C
- 20/5 FPM two speed hoist using 15/3.75 HP – 3600/900 RPM motor
- 50/17 FPM two speed trolley using .75/.25 HP – 1800/600 RPM motor
- 6" tread diameter wheels to fit ASI or WF beams with 8.125" thru 14" flange width, no curves

MORE FLEX

PLUG & PLAY SINGLE GIRDER TOP-RUNNING CRANE KITS

5 TON

Hoist Catalog #: K0550S25044GX

Shaw-Box Product Brand Kit #: 23563825

Yale Product Brand Kit #: 23563826

Net Weight: **2,306 lbs.**

- 5 ton capacity (US Short Tons)
- 25 ft. lift
- 460-3-60, 115 V/C
- 20/5 FPM two speed hoist using 7.5/1.875 HP – 3600/900 RPM motor
- 55/18 FPM two speed trolley using .5/.17 HP – 1800/600 RPM motor
- 4" tread diameter wheels to fit ASI or WF beams with 8.125" thru 14" flange width
- Trolley stops with rubber bumpers
- 50 ft. maximum crane span
- VFD controlled 100 fpm bridge traverse using 1 HP – 84.1 Output RPM motor
- 160 MM end trucks with 90" wheel base**
- Mainline contactor & manual disconnect included
- Plug & Play festoon package

MORE FLEX

5 TON

Hoist Catalog #: K0560S25044G

Shaw-Box Product Brand Kit #: 23563825

Yale Product Brand Kit #: 23563826

Net Weight: **2,460 lbs.**

- 5 ton capacity (US Short Tons)
- 25 ft. lift
- 460-3-60, 115 V/C
- 20/5 FPM two speed hoist using 7.5/1.875 HP – 3600/900 RPM motor
- 55/18 FPM two speed trolley using .5/.17 HP – 1800/600 RPM motor
- 4" tread diameter wheels to fit ASI or WF beams with 8.125" thru 14" flange width
- Trolley stops with rubber bumpers
- 60 ft. maximum crane span
- VFD controlled 100 fpm bridge traverse using 1 HP – 84.1 Output RPM motor
- 160 MM end trucks with 90" wheel base**
- Mainline contactor & manual disconnect included
- Plug & Play festoon package

MORE FLEX

NEW MODEL ADDED!

10 TON

Hoist Catalog #: K1050S25044G

Shaw-Box Product Brand Kit #: 23563845

Yale Product Brand Kit #: 23563846

Net Weight: **3,370 lbs.**

- 10 ton capacity (US Short Tons)
- 25 ft. lift
- 460-3-60, 115 V/C
- 20/5 FPM two speed hoist using 15/3.75 HP – 3600/900 RPM motor
- 50/17 FPM two speed trolley using .75/.25 HP – 1800/600 RPM motor
- 6" tread diameter wheels to fit ASI or WF beams with 8.125" thru 14" flange width
- Trolley stops with rubber bumpers
- 50 ft. maximum crane span
- VFD controlled 100 fpm bridge traverse using 1.5 HP – 72.8 Output RPM motor
- 200 MM end trucks with 90" wheel base**
- Mainline contactor and manual disconnect included
- Plug & Play festoon package

MORE FLEX

10 TON

Hoist Catalog #: K1050S25044GX

Shaw-Box Product Brand Kit #: 23563845

Yale Product Brand Kit #: 23563846

Net Weight: **3,370 lbs.**

- 10 ton capacity (US Short Tons)
- 25 ft. lift
- 460-3-60, 115 V/C
- 20/5 FPM two speed hoist using 15/3.75 HP – 3600/900 RPM motor
- 50/17 FPM two speed trolley using .75/.25 HP – 1800/600 RPM motor
- 6" tread diameter wheels to fit ASI or WF beams with 8.125" thru 14" flange width
- Trolley stops with rubber bumpers
- 50 ft. maximum crane span
- VFD controlled 100 fpm bridge traverse using 1.5 HP – 72.8 Output RPM motor
- 200 MM end trucks with 96" wheel base**
- Mainline contactor and manual disconnect included
- Plug & Play festoon package

MORE FLEX

OPTIONAL

Upper Block Operated Control Circuit Limit Switch is available as a field installation kit for all units.

Catalog #: 23564022C

11

2

8

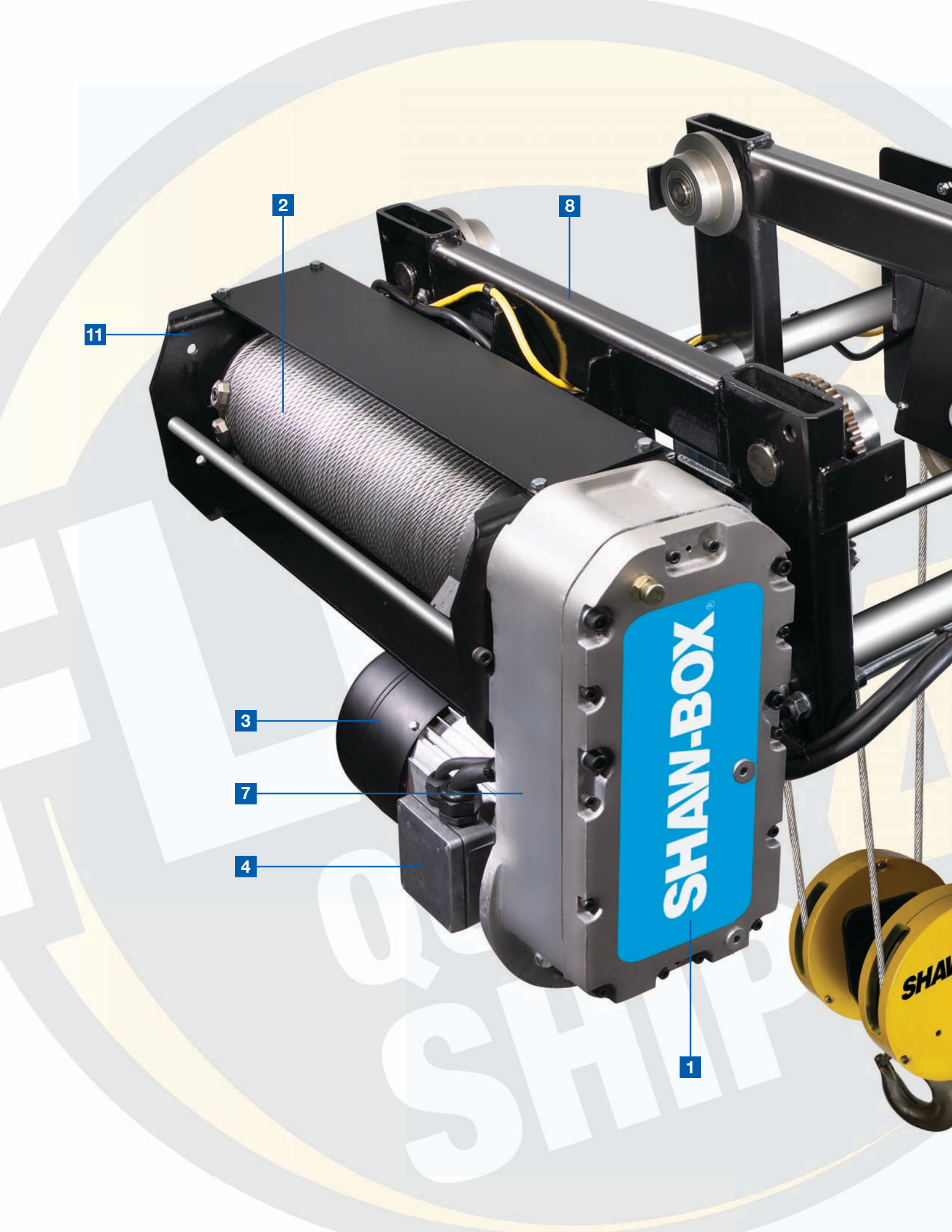
3

7

4

1

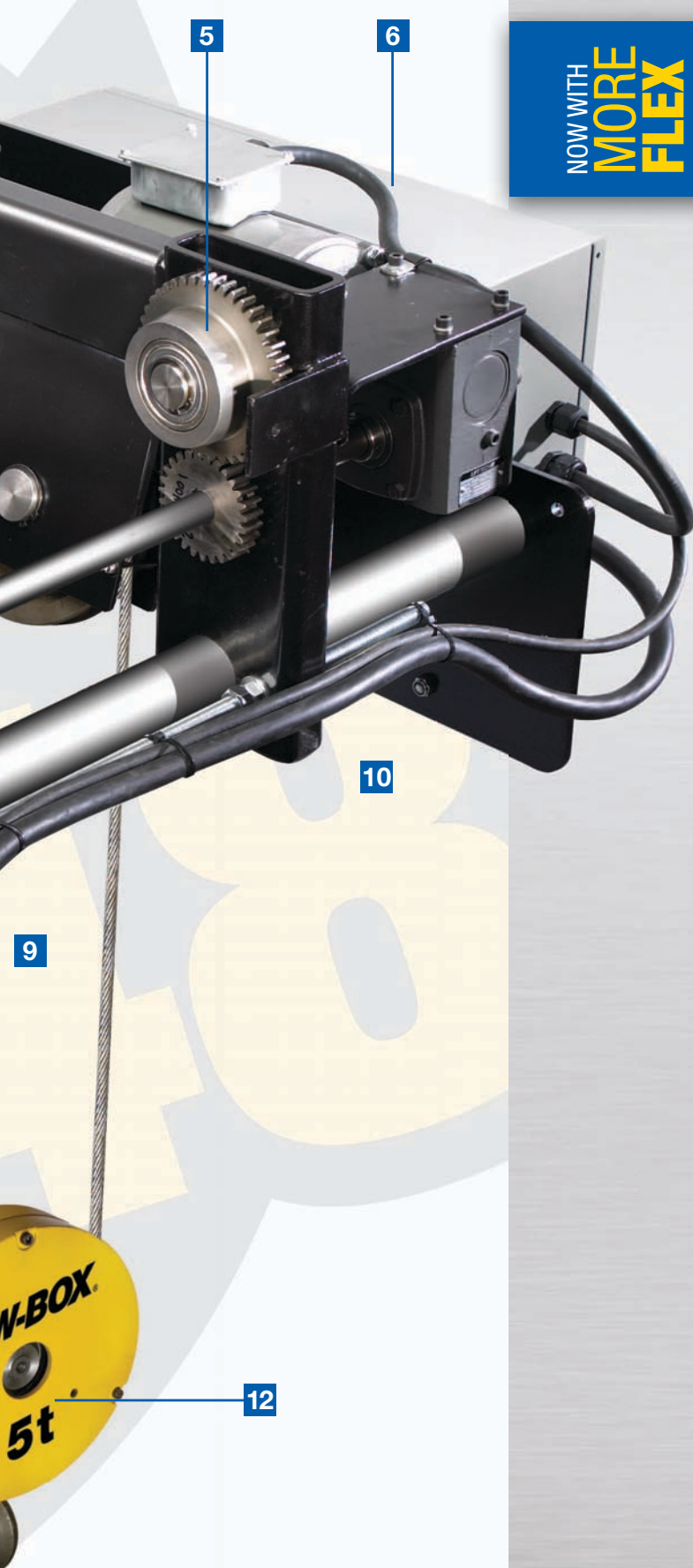
SHAW-BOX[®]



KEY FEATURES

NOW WITH
**MORE
FLEX**

- 1 FACTORY-INSTALLED PRODUCT BRAND KIT**
Yale Global King and Shaw-Box World Series hoists are available as **Flex-48 Quick Ship** units shipping with world-class delivery within 48 hours. Choose your factory-installed product brand kit for either unit.
- 2 WIRE ROPE DRUM**
Machined from quality steel, deep-grooved with a rope guide to help ensure the rope stays in the grooves. Wire rope is secured to the drum with three heavy ductile iron clamps and designed to have three extra wraps of wire rope on the drum with the rope at full extension (low hook).
- 3 HEAVY DUTY DC DISC BRAKES**
Rated at 200% torque, provides quick, positive stops and load holding.
- 4 MOTORS**
The motor is two-speed with a 4:1 ratio from high to low speed; giving a low speed for precise load handling and a high speed for fast throughput. Designed and manufactured specifically for hoisting service.
- 5 WHEELS**
Steel compound tread wheels for long life and use on either wide-flange or "S" beams. One wheel on each side of trolley driven for positive tracking.
- 6 HOIST & TROLLEY CONTROLS**
Housed in a common NEMA 4/12 enclosure with hoist motion monitor, motor thermal overloads, over capacity limit switch and more. Easily accessible electrical components. Two-speed hoist and trolley control for smooth acceleration and precise load positioning.
- 7 GEARING**
Triple reduction hoist gearing is oil bath lubricated, operating in an oil-tight, cast aluminum gear case.
- 8 FRAME**
Heavy steel frame provides a solid foundation and positive alignment of key components.
- 9 LOW HEADROOM**
The hoist is reeved to a low-headroom design lower block for minimum headroom and maximum lift.
- 10 TROLLEY**
Trolley is easily adjustable to handle a wide range of beam flange widths.
- 11 LIMIT SWITCHES**
The hoist is provided with an upper/lower, geared control circuit hoist motion limit switch. An additional block operated upper control circuit limit switch is available as an option. A hoist overcapacity limit switch prevents lifting excessive overloads.
- 12 TRUNNION-STYLE BLOCK & HOOK**
Each hoist comes with a bearing mounted trunnion hook that rotates 360° and swings back and forth 180° for easier load adjustment.



SHAW-BOX



KNOW HOW...KNOW WHY

Columbus McKinnon is a global leader in providing expertise and training in the proper use and inspection of rigging and overhead lifting equipment. With a range of comprehensive programs and seminars conducted at venues throughout North America, as well as on site at private companies and industries, Columbus McKinnon courses include:

- Hoist Maintenance
- Load Securement
- Crane & Hoist Inspection
- Mobile Crane Operator
- Rigging
- Safe Hoisting
- Crane Operator Training
- Rigging Gear Inspection

Classes are available at our Niagara Training Center and the state-of-the-art **Hoist & Rigging Training Center of Excellence** in the Center for Occupational Health and Automobile Manufacturing (COHAM) lab at The Ohio State University. The COHAM lab is a hands-on learning center which allows attendees to understand how to properly use and inspect overhead lifting equipment. This leading edge training program is designed to increase workplace productivity and safety in a ergonomically friendly environment.



In addition to the strong knowledge base exemplified by comprehensive training programs, Columbus McKinnon is one of the only manufacturers supplying complete lifting systems to satisfy unique material handling requirements of users in a variety of environments. From jib cranes and hoists to chain slings, clamps, and related attachments; systems include products that are matched specifically to the lifting needs of the application. Products may also be modified in order to ensure that the proper system is in place for the job.

Whether your needs call for a single Global King or World Series hoist, or a completely engineered system to outfit your production facility, Columbus McKinnon provides the products and expertise to keep your workforce productive and safe.



▲ WARNING

To Avoid Injury:

- Do not exceed working load limit, load rating, or capacity.
- Do not use to lift people or loads over people.
- Read and follow all instructions.



FAMILY OF BRANDS



Phone (800) 888.0985 • Fax: (716) 689.5644 • www.cmworks.com